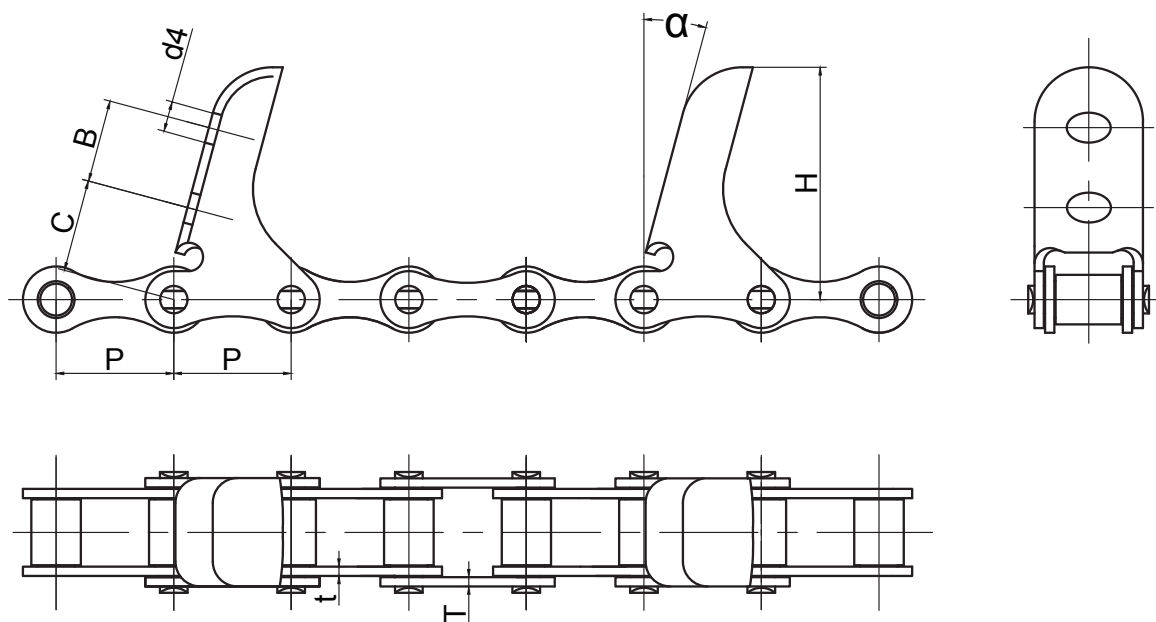


GS38 拨禾链 GS38 Potting Chain



征和链号 CHOHO Chain No.	P	t	T	C	B	α	H	d4
	mm	mm	mm	mm	mm	/	mm	mm
GS38C6E	38.0	3.00	3.0	/	/	15°	62.0	/
GS38C6E(5°)	38.0	3.00	3.0	/	/	5°	62.0	/
GS38C6EJK	38.0	3.00	3.0	21.4	21.0	15°	62.0	6.5

GS38 链条及配件
GS38 Chain and Accessories

S 型钢制农机链及配件
S Type Steel Agricultural
Chains and Accessories

A 型钢制农机链及配件
A Type Steel Agricultural
Chains and Accessories

C/A 型钢制农机链及配件
C/A Type Steel Agricultural
Chains and Accessories

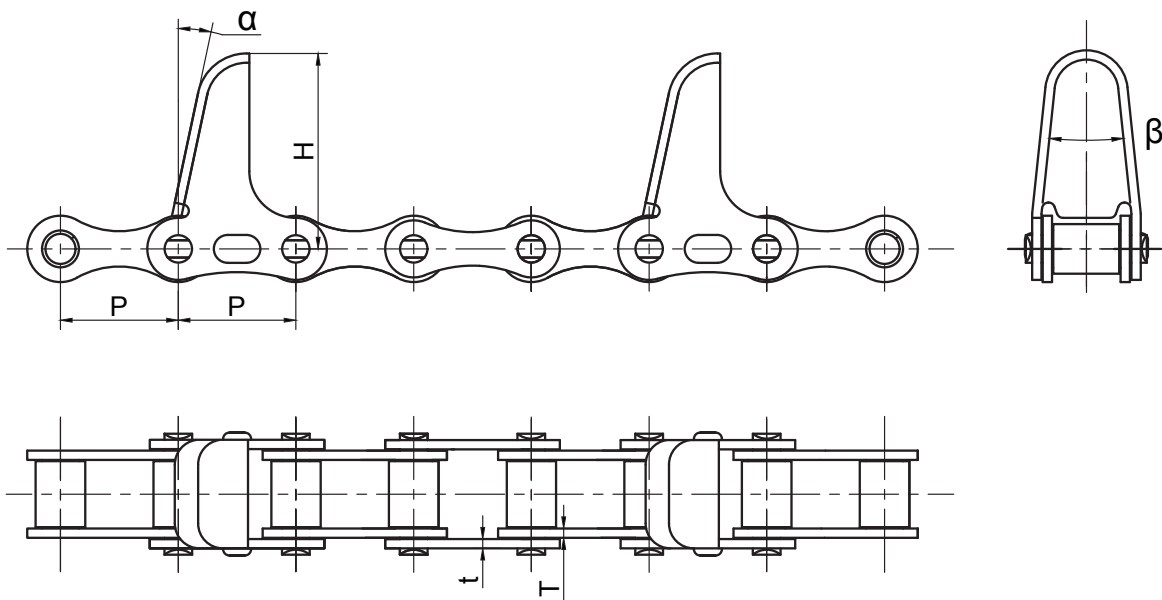
水稻收割机链
Rice harvester Chains

夹持链
Clamping Chains

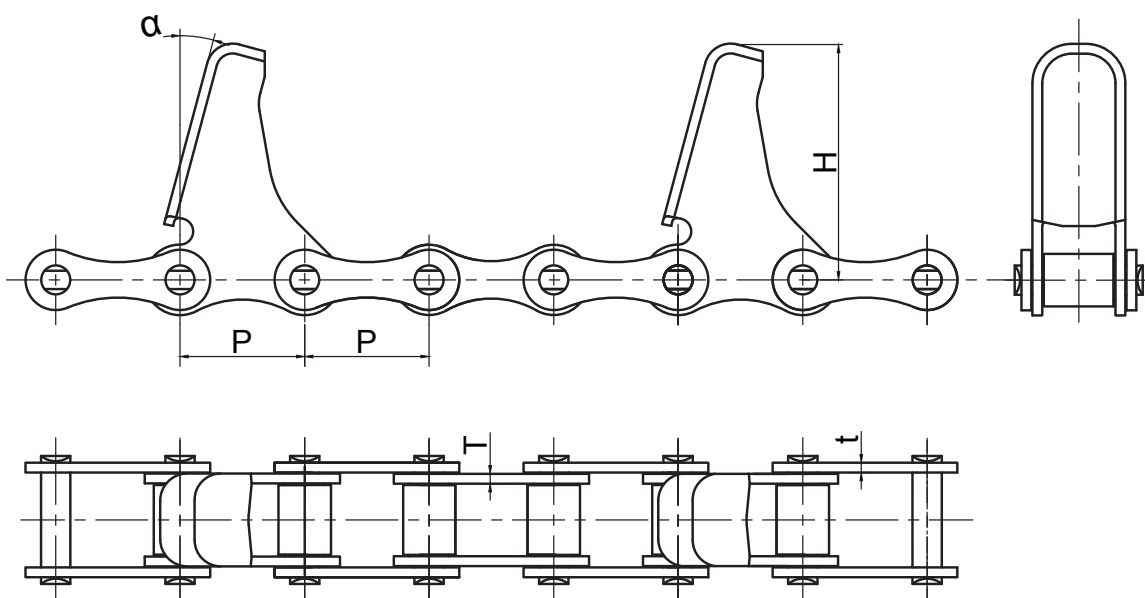
其他农机链及配件
Other Agricultural Chains
and Accessories

传动链
Driving Chains

GS38 拨禾链 GS38 Potting Chain

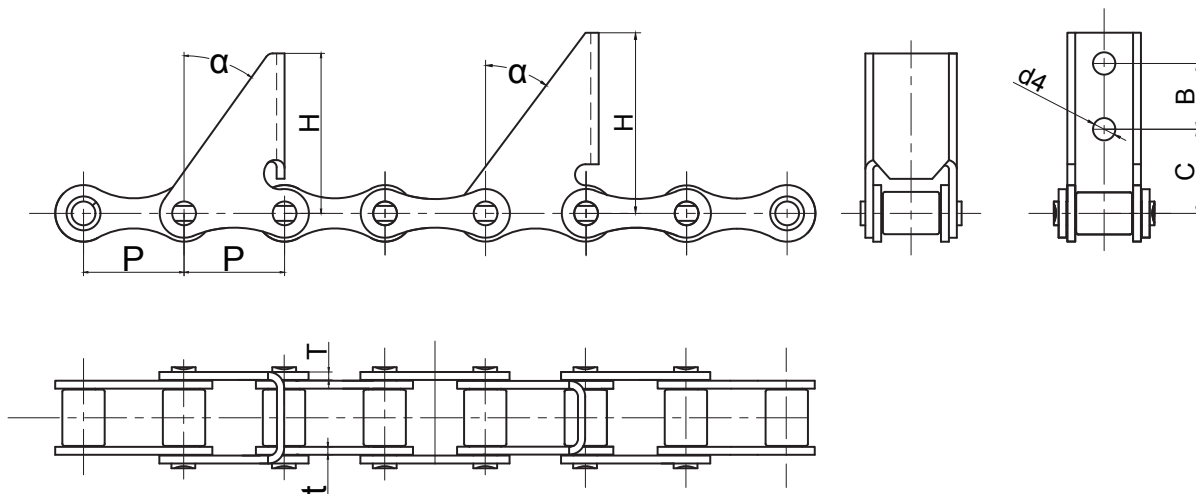


征和链号 CHOHO Chain No.	P	t	T	α	β	H
	mm	mm	mm	/	/	mm
GS38C6EF1	38.0	3.00	3.0	12°	12°	64.0
GS38C6EF1A	38.0	3.00	3.0	12°	12°	64.0



征和链号 CHOHO Chain No.	P	t	T	a	H
	mm	mm	mm	/	mm
GS38C6EF2	38.0	3.00	3.0	11°	62.0
GS38C6EF2(72)	38.0	3.00	3.0	15°	72.0

GS38 拨禾链 GS38 Potting Chain



征和链号 CHOHO Chain No.	P	t	T	B	C	H	d4	a
	mm	mm	mm	mm	mm	mm	mm	/
GS38C6EF3	38.0	3.00	3.0	/	/	60.5	/	35°
GS38C6EF5	38.0	3.00	3.0	32.0	25.0	68.0	8.5	37°

GS38 链条及附件
GS38 Chain and Accessories

S 型钢制农业机械及附件
S type steel Agricultural
Chains and Accessories

A 型钢制农业机械及附件
A type steel Agricultural
Chains and Accessories

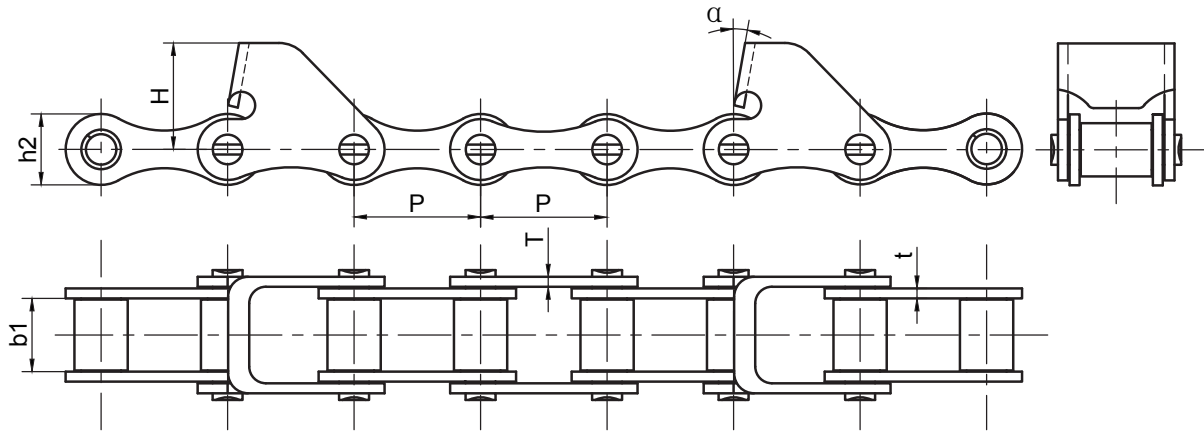
C/CN 型钢制农业机械及附件
C/CN type steel Agricultural
Chains and Accessories

水稻收割机链
Rice harvester Chains

夹持链
Clamping Chains

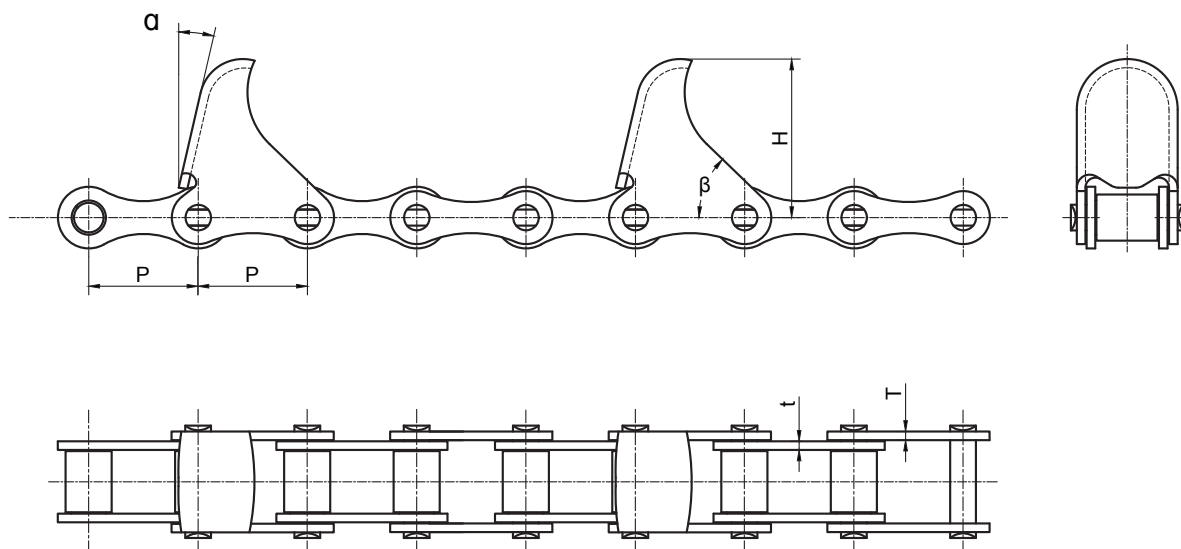
其他农业机械及附件
Other Agricultural Chains
and Accessories

传动链
Driving Chains



征和链号 CHOHO Chain No.	P	b1	h2	a	H
	mm	mm	mm	/	mm
GS38C6EF6	38.0	22.00	21.4	10°	32.0

GS38 拨禾链 GS38 Potting Chain



征和链号 CHOHO Chain No.	P	t	T	α	β	H
	mm	mm	mm	/	/	mm
GS38C6EF7	38.0	3.00	3.0	13°	44°	55.0

GS38 链条及附件
GS38 Chain and Accessories

S 型钢制农业机械及附件
S Type Steel Agricultural
Chains and Accessories

A 型钢制农业机械及附件
A Type Steel Agricultural
Chains and Accessories

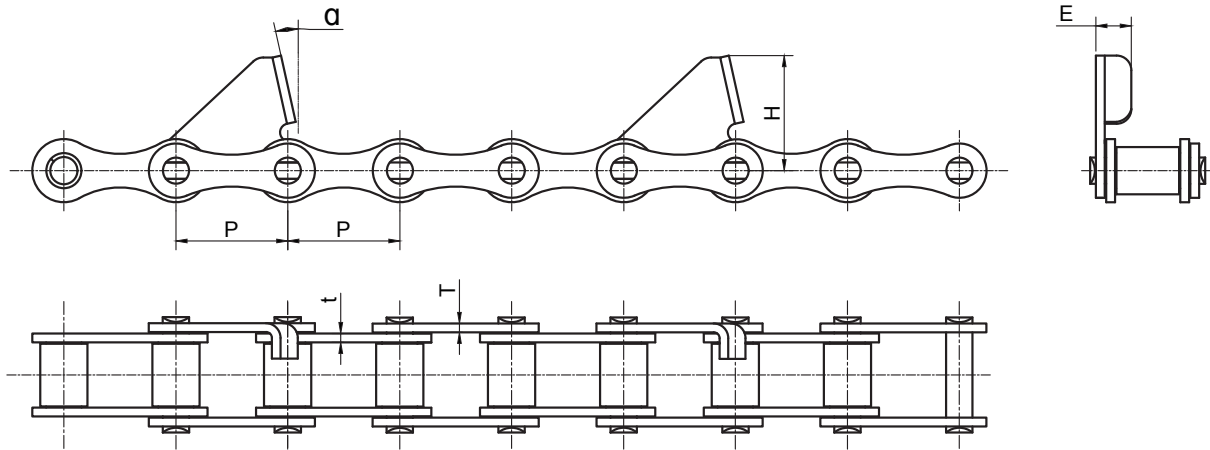
C/CV 型钢制农业机械及附件
C/CV Type Steel Agricultural
Chains and Accessories

水稻收割机链
Rice Harvester Chains

夹持链
Clamping Chains

其他农业机械及附件
Other Agricultural Chains
and Accessories

传动链
Driving Chains



征和链号 CHOHO Chain No.	P	t	T	α	E	H
	mm	mm	mm	/	mm	mm
GS38C6EF8	38.0	3.00	3.0	12.5°	12.0	39.0

GS38链及附件
GS38 Chain and Accessories

S型钢制农机链及附件
S Type Steel Agricultural
Chains and Accessories

A型钢制农机链及附件
A Type Steel Agricultural
Chains and Accessories

C/A型钢制农机链及附件
C/A Type Steel Agricultural
Chains and Accessories

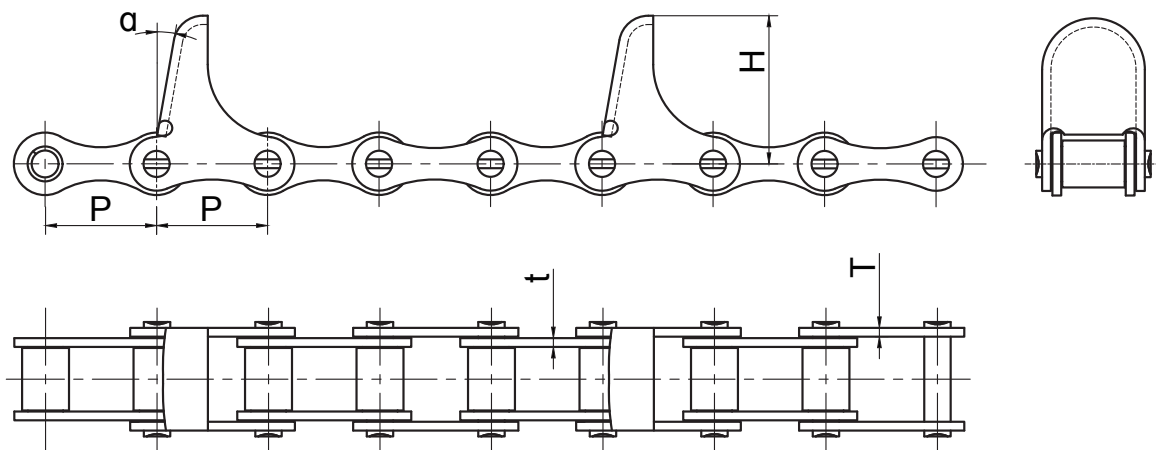
水稻收割机链
Rice harvester Chains

夹持链
Clamping Chains

其他农机链及附件
Other Agricultural Chains
and Accessories

传动链
Driving Chains

GS38 拔禾链 GS38 Potting Chain



征和链号 CHOHO Chain No.	P	t	T	α	H
	mm	mm	mm	/	mm
GS38C6EF9	38.0	3.00	3.0	10°	50.5

GS38 链条及附件
GS38 Chain and Accessories

S 型钢制农业机械及附件
S Type Steel Agricultural
Chains and Accessories

A 型钢制农业机械及附件
A Type Steel Agricultural
Chains and Accessories

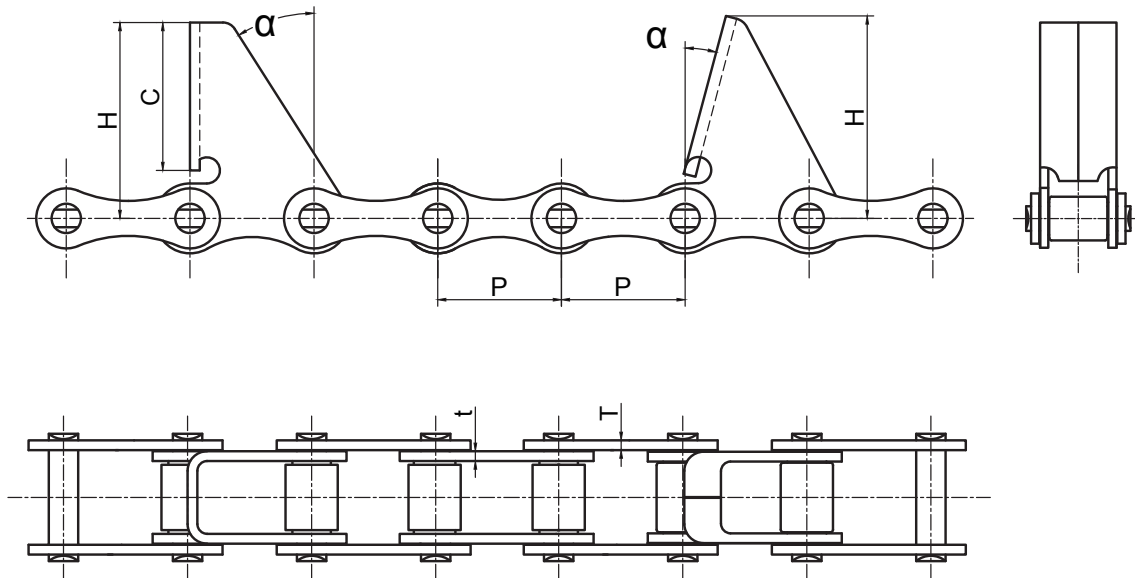
C/CV 型钢制农业机械及附件
C/CV Type Steel Agricultural
Chains and Accessories

水稻收割机链
Rice Harvester Chains

夹持链
Clamping Chains

其他农业机械及附件
Other Agricultural Chains
and Accessories

传动链
Driving Chains



征和链号 CHOHO Chain No.	P	t	T	α	C	H
	mm	mm	mm	/	mm	mm
GS38F1	38.0	3.00	3.0	32.5°	45.3	60.0
GS38F5	38.0	3.00	3.0	15°	/	62.0

GS38链类及附件
GS38 Chain and Accessories

S型钢制农机链及附件
S Type Steel Agricultural
Chains and Accessories

A型钢制农机链及附件
A Type Steel Agricultural
Chains and Accessories

C/A型钢制农机链及附件
C/A Type Steel Agricultural
Chains and Accessories

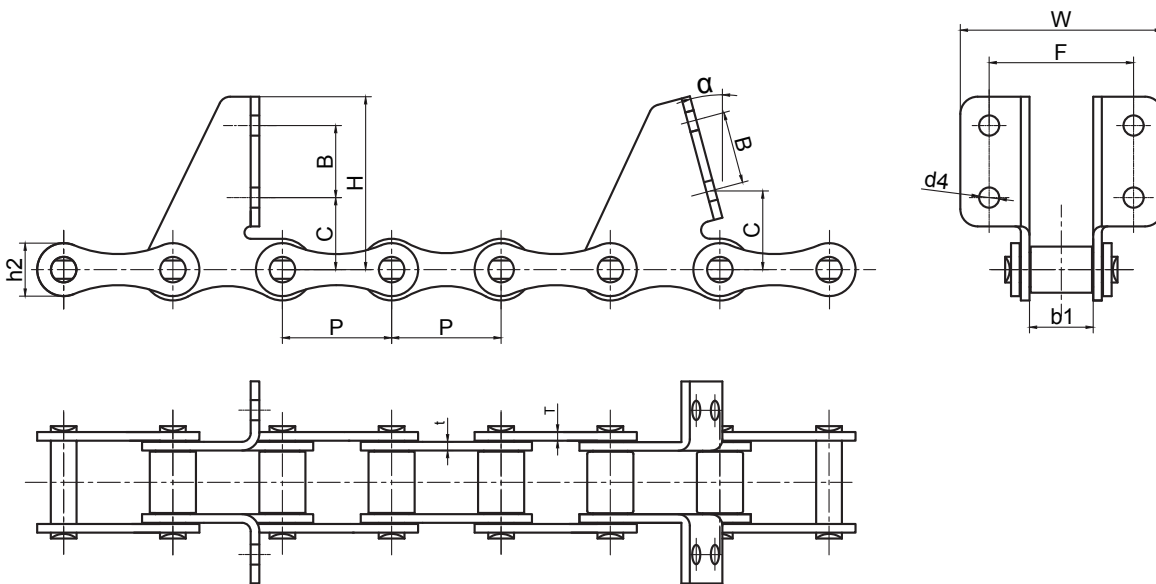
水稻收割机链
Rice harvester Chains

夹持链
Clamping Chains

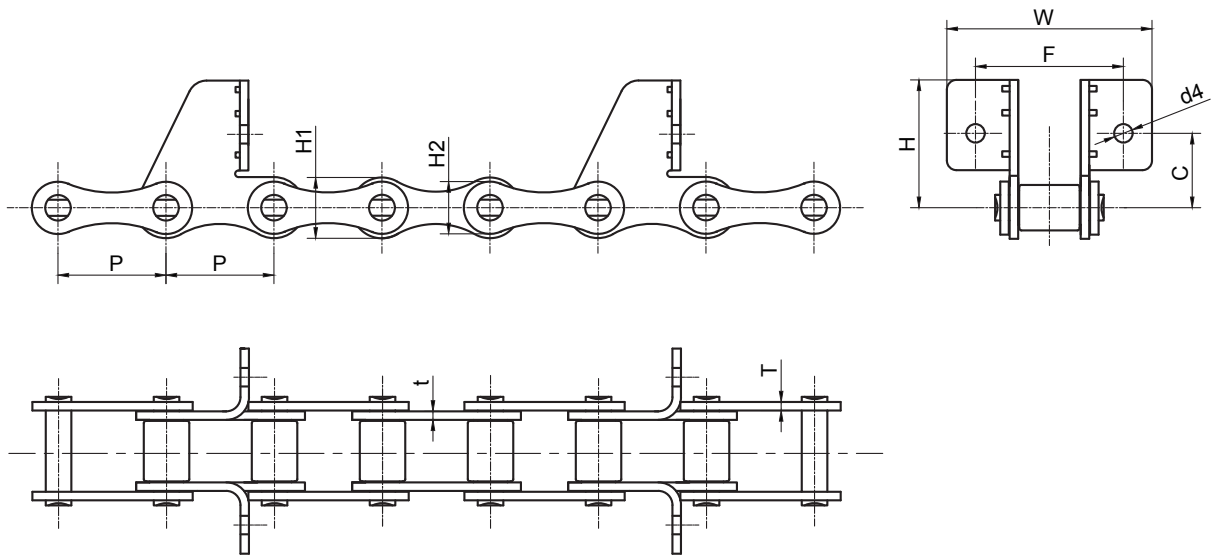
其他农机链及附件
Other Agricultural Chains
and Accessories

传动链
Driving Chains

GS38 喂入链、提升链 GS38 Feeding Chain, Lifting Chain



征和链号 CHOHO Chain No.	P	b1	C	B	F	W	d4	H	h2	α
	mm	mm	mm	mm	mm	mm	mm	mm	mm	/
GS38F3	38.0	22.00	25.0	25.0	50.0	70.0	7	60.0	21.4	/
GS38F3(φ8.5)	38.0	22.00	25.0	25.0	50.0	70.0	8.5	60.0	21.4	/
GS38F8	38.0	22.00	27.2	25.0	50.0	70.0	7	60.0	21.4	15°



征和链号 CHOHO Chain No.	P	T	t	C	W	F	H1	H2	H	d4
	mm	mm	mm	mm	mm	mm	mm	mm	mm	mm
GS38F6	38.0	3.0	3.0	30.0	70.0	52.0	21.4	18.4	55.0	8.5
GS38TF6	38.0	3.0	3.0	30.0	70.0	52.0	21.4	21.4	55.0	8.5

GS38链类及附件
GS38 Chain and Accessories

S型钢制农机链及附件
S Type Steel Agricultural
Chains and Accessories

A型钢制农机链及附件
A Type Steel Agricultural
Chains and Accessories

C/A型钢制农机链及附件
C/A Type Steel Agricultural
Chains and Accessories

水稻收割机链
Rice harvester Chains

夹持链
Clamping Chains

其他农机链及附件
Other Agricultural Chains
and Accessories

传动链
Driving Chains