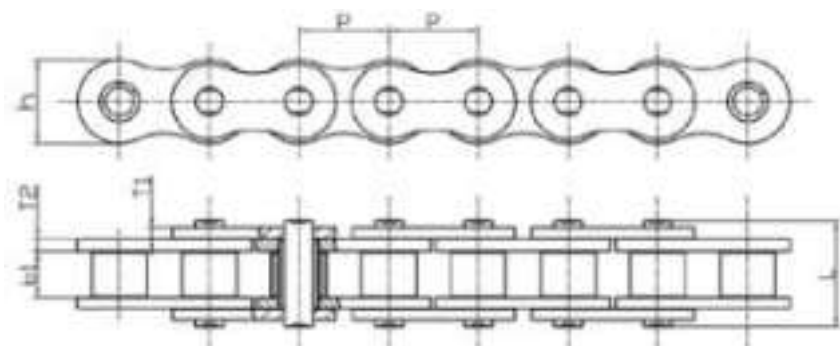


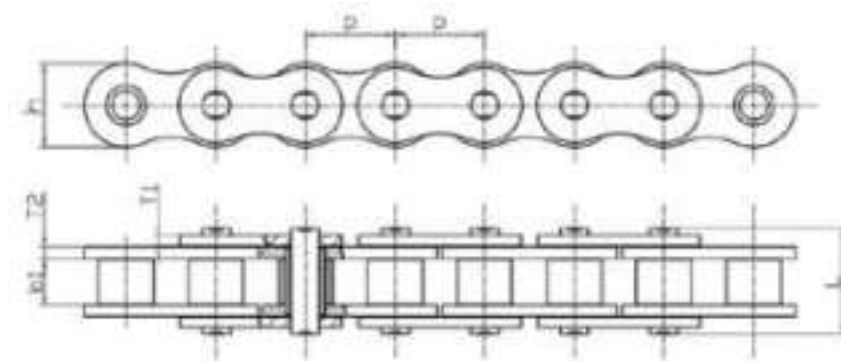
产品参数 Product Parameters



耐磨系列：引入合金材料，套筒为卷制套筒，提升产品强度和耐磨性。

Wear-resistant series: Made by alloy materials, formed bushing, improving product strength and wear resistance.

| 规格及大类 Specifications and Series | | 主要特点 Features | | | | | | | | 主要特性 Performance | 推荐排量 cc Application By cc |
|------------------------------------|-------------|------------------|---------------------|-------------------------|-------------------------|--------------|------------------------|------------------------|-------------------------|--------------------------------|------------------------------|
| 产品大类 Series | 规格 Model | 规格 Model | 内节内宽 Inner width | 链板厚度 Plate Thickness | 滚子直径 Roller Diameter | 套筒 Bush | 销轴 长度 Pin length | 密封圈 状态 Ring Type | 接头形态 Connecting Link | 拉力 kN ≥ Tensile Strength | |
| | | P | b1 | T1/T2 | L | | | | | | |
| 耐磨系列 Wear-resistant series | 415H | 12.7 | 4.8 | 1.5/1.5 | 7.77 | 有缝 Curved | 13.3 | 无 N/A | 环接 Connecting | 16 | ≤70 |
| | 420 | 12.7 | 6.35 | 1.5/1.5 | 7.77 | 有缝 Curved | 14.9 | 无 N/A | 环接 Connecting | 16 | 70-90 |
| | 420H | 12.7 | 6.35 | 1.8/1.8 | 7.77 | 有缝 Curved | 16.2 | 无 N/A | 环接 Connecting | 18 | 70-110 |
| | 428 | 12.7 | 7.85 | 1.6/1.6 | 8.51 | 有缝 Curved | 16.7 | 无 N/A | 环接 Connecting | 17.8 | 90-125 |
| | 428H | 12.7 | 7.85 | 2.0/2.0 | 8.51 | 有缝 Curved | 18.5 | 无 N/A | 环接 Connecting | 20.6 | 100-150 |
| | 520 | 15.875 | 6.35 | 2.0/2.0 | 10.16 | 有缝 Curved | 17.2 | 无 N/A | 环接 Connecting | 26.5 | 150-200 |
| | 520H | 15.875 | 6.35 | 2.42/2.42 | 10.16 | 有缝 Curved | 18.9 | 无 N/A | 环接 Connecting | 30.5 | 150-200 |
| | 525H | 15.875 | 7.94 | 2.42/2.42 | 10.16 | 有缝 Curved | 20.5 | 无 N/A | 环接 Connecting | 31 | 150-250 |

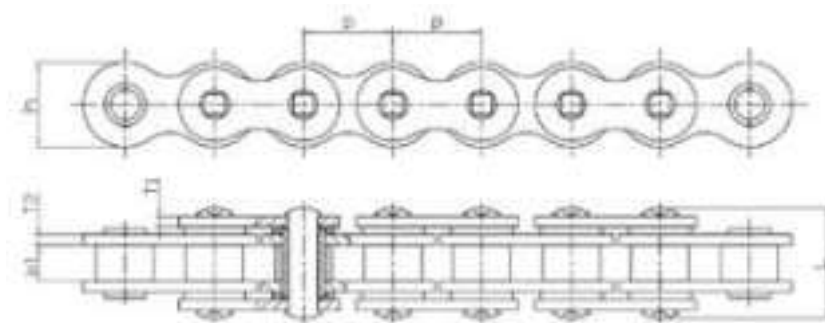


强化系列: 引入无缝套筒、O型密封圈技术, 确保更长的使用寿命最低限度的维护。

Super series: seamless bushing and O-ring seal ensure longer service life and minimum maintenance.

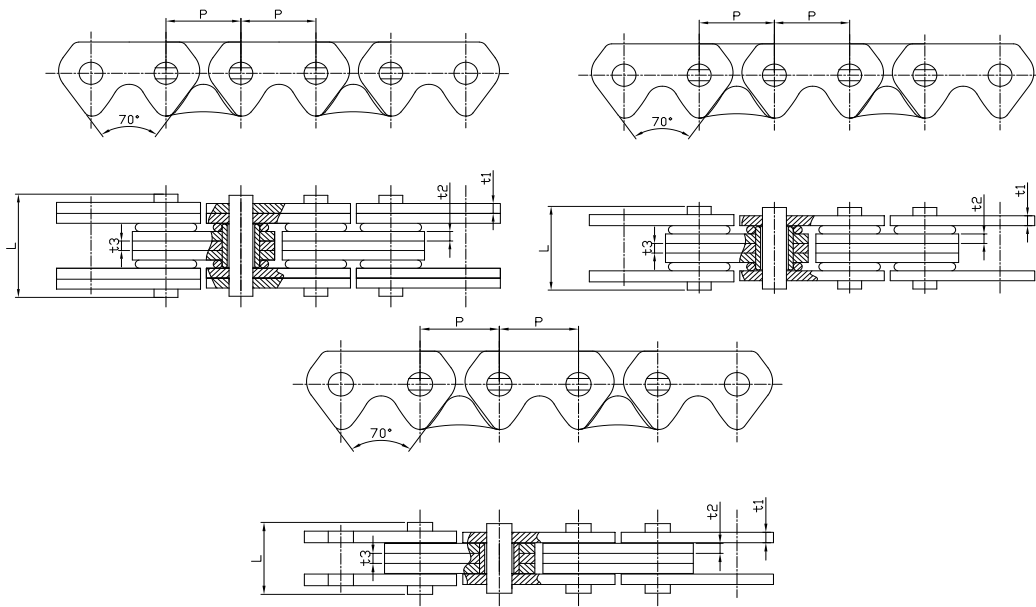
| 规格及大类 Specifications and Series | | 主要特点 Features | | | | | | | | 主要特性 Performance | 推荐排量 cc Application By cc |
|------------------------------------|-------------|------------------|---------------------|-------------------------|-------------------------|-------------|------------------------|---------------------------------|---------------------------------|--------------------------------|-----------------------------------|
| 产品大类 Series | 规格 Model | 规格 Model | 内节内宽 Inner width | 链板厚度 Plate Thickness | 滚子直径 Roller Diameter | 套筒 Bush | 销轴 长度 Pin length | 密封圈 状态 Ring Type | 接头形态 Connecting Link | 拉力 kN ≥ Tensile Strength | |
| | | P | b1 | T1/T2 | | | L | | | | |
| 强化系列 Super Series | 420HS | 12.7 | 6.35 | 1.8/1.8 | 7.77 | 无缝 Solid | 16.2 | 无 N/A | 环接 Connecting | 17 | 70-110 |
| | 428HS | 12.7 | 7.85 | 2.0/2.0 | 8.51 | 无缝 Solid | 18.5 | 无 N/A | 环接 Connecting | 20.6 | 100-150 |
| | 428HDS | 12.7 | 7.85 | 2.0/2.0 | 8.51 | 无缝 Solid | 19 | 无 N/A | 环接 Connecting | 21 | 125-190 |
| | 520HDS | 15.875 | 6.35 | 2.42/2.42 | 10.16 | 无缝 Solid | 19.3 | 无 N/A | 环接 Connecting | 31 | 150-250 |
| | 520HS | 15.875 | 6.35 | 2.42/2.42 | 10.16 | 无缝 Solid | 18.9 | 无 N/A | 环接 Connecting | 30.5 | 150-200 |
| | 530HS | 15.875 | 9.4 | 2.42/2.42 | 10.16 | 无缝 Solid | 22.2 | 无 N/A | 环接 Connecting | 30.5 | 150-250 |
| | 415UO | 12.7 | 4.8 | 1.5/1.5 | 7.77 | 无缝 Solid | 15.9 | O型 O Ring | 环铆 / 打孔 Connecting/ Split | 17.8 | 100-150 |
| | 420O | 12.7 | 6.35 | 1.5/1.5 | 7.77 | 无缝 Solid | 17.5 | O型 O Ring | 环铆 / 打孔 Connecting/ Split | 16 | 25KW 电摩 electric motorcycle |
| | 428HO | 12.7 | 7.9 | 2.0/2.0 | 8.51 | 无缝 Solid | 21.9 | O型 O Ring | 环铆 / 打孔 Connecting/ Split | 21 | 150-200 |
| | 520O2 | 15.875 | 6.35 | 1.8/1.8 | 10.22 | 无缝 Solid | 19.4 | O型 O Ring | 环铆 / 打孔 Connecting/ Split | 31 | 250-450 |
| 525HO | 15.875 | 7.94 | 2.42/2.42 | 10.16 | 无缝 Solid | 23.6 | O型 O Ring | 环铆 / 打孔 Connecting/ Split | 33 | 150-300 | |

产品参数 Product Parameters



超强系列: 引入 4 唇密封圈的专利 X 型密封圈, 具有低摩擦阻力、高耐磨特点, 显著增加了链条的使用寿命。
 Professional Series: The patented X-shaped ring with 4-lip sealing ring, which has the characteristics of low friction and high wear resistance, significantly increases the service life of the chain.

| 规格及大类 Specifications and Series | | 主要特点 Features | | | | | | | | 主要特性 Performance | 推荐排量 cc Application By cc |
|------------------------------------|-------------|------------------|---------------------|-------------------------|-------------------------|-------------|------------------------|------------------------|---------------------------------|--------------------------------|------------------------------|
| 产品大类 Series | 规格 Model | 规格 Model | 内节内宽 Inner width | 链板厚度 Plate Thickness | 滚子直径 Roller Diameter | 套筒 Bush | 销轴 长度 Pin length | 密封圈 状态 Ring Type | 接头形态 Connecting Link | 拉力 kN ≥ Tensile Strength | |
| | | P | b1 | T1/T2 | | | L | | | | |
| 超强系列 professional Series | 420D | 12.7 | 6.35 | 1.8/1.8 | 7.77 | 无缝 Solid | 16.2 | 无 N/A | 环接 Connecting | 21 | 100-150 |
| | 520ND | 15.875 | 6.35 | 2.0/2.0 | 10.22 | 无缝 Solid | 17.7 | 无 N/A | 环接 Connecting | 33 | 200-400 |
| | 428UX | 12.7 | 7.9 | 1.8/1.8 | 8.51 | 无缝 Solid | 20.7 | X 型 X Ring | 环铆 / 打孔 Connecting/ Split | 21 | 150-200 |
| | 520X2 | 15.875 | 6.35 | 2.0/2.0 | 10.22 | 无缝 Solid | 19.9 | X 型 X Ring | 环铆 / 打孔 Connecting/ Split | 33 | 300-600 |
| | 520UX | 15.875 | 6.35 | 2.2/2.2 | 10.16 | 无缝 Solid | 20.7 | X 型 X Ring | 环铆 / 打孔 Connecting/ Split | 34 | 300-650 |
| | 520SX2 | 15.875 | 6.35 | 2.2/2.4 | 10.22 | 无缝 Solid | 21 | X 型 X Ring | 环铆 / 打孔 Connecting/ Split | 38 | 600-900 |
| | 525SX2 | 15.875 | 7.94 | 2.2/2.4 | 10.22 | 无缝 Solid | 22.6 | X 型 X Ring | 环铆 / 打孔 Connecting/ Split | 38 | 600-1000 |
| | 530SX2 | 15.875 | 9.4 | 2.2/2.4 | 10.22 | 无缝 Solid | 24.1 | X 型 X Ring | 环铆 / 打孔 Connecting/ Split | 38 | 600-1100 |
| | 520EX | 15.875 | 6.35 | 2.52/2.52 | 10.22 | 无缝 Solid | 22 | X 型 X Ring | 环铆 / 打孔 Connecting/ Split | 42 | 800-1000 |
| | 525EX | 15.875 | 7.94 | 2.52/2.52 | 10.22 | 无缝 Solid | 23.5 | X 型 X Ring | 环铆 / 打孔 Connecting/ Split | 42 | 800-1200 |
| | 530EX | 15.875 | 9.4 | 2.52/2.52 | 10.22 | 无缝 Solid | 25 | X 型 X Ring | 环铆 / 打孔 Connecting/ Split | 42 | 800-1300 |
| | 525VZ | 15.875 | 7.94 | 2.2/2.2 | 10.32 | 无缝 Solid | 22.5 | X 型 X Ring | 环铆 / 打孔 Connecting/ Split | 42 | 1000-1300 |
| | 530VZ | 15.875 | 9.4 | 2.2/2.2 | 10.32 | 无缝 Solid | 24 | X 型 X Ring | 环铆 / 打孔 Connecting/ Split | 42 | 1000-1300 |



振明链: 基于齿形链啮合原理, 融合了滚子套筒链的结构, 振明链是集“快、静、炫、稳”于一身的真正的静音链条。
 Zenming Chain: Based on the meshing principle of tooth shaped chains, combined with the structure of roller sleeve chains, the vibrating chain is a true silent chain that combines "fast, quiet, dazzling, and stable".

| 系列分类 Series classification | 征和链号 CHOHO NO. | 节距 | 片数组 合 | 链宽 | 抗拉强 度 | 每米重 量 | 链板厚度 | | | 密封圈 Seal ring | 适用排量 / 功率 |
|----------------------------------|----------------------|--------|---------------------|-------------------|---------------------|---------------------|-----------------------|-----|-----|------------------|---------------------------------|
| | | Pitch | Number of Plates | Width of Chain | Tensile Strength | Weight per Meter | Chain plate thickness | | | | Suitable Displacement/ Power |
| | | P | pcs | L | Q min | W | t1 | t2 | t3 | | cc/KW |
| | | mm | | mm | KN | Kg/m | | | | | |
| 振明链 Zenming | CL08CFM-5 | 12.7 | 5 | 14.8 | 22.5 | 0.76 | 2.0 | 1.8 | 1.8 | X 型 X Ring | 5KW-20KW |
| | CL08CFM-7 | 12.7 | 7 | 18.8 | 22.5 | 1.04 | 2.0 | 1.8 | 1.8 | X 型 X Ring | 100CC-200CC |
| | CL08CFS-5 | 12.7 | 5 | 12.8 | 22.5 | 0.74 | 2.0 | 1.8 | 1.8 | 无 N/A | 100CC-150CC |
| | CL09CFM-5 | 14.29 | 5 | 16.8 | 30.5 | 1.03 | 2.3 | 2.5 | 2.0 | X 型 X Ring | 200CC-400CC |
| | CL09CFM-7 | 14.29 | 7 | 21.4 | 30.5 | 1.41 | 2.3 | 2.5 | 2.0 | X 型 X Ring | 250CC-600CC |
| | CL09CFS-5 | 14.29 | 5 | 13.3 | 30.5 | 0.99 | 2.3 | 2.5 | 2.0 | 无 N/A | 100CC-350CC |
| | CL10CFM-5 | 15.875 | 5 | 17.4 | 42.0 | 1.12 | 2.5 | 2.5 | 2.0 | X 型 X Ring | 500CC-1900CC |

| 规格 Model | 主要配套客户 Main OEM Clients | 车型 Motorcycle |
|-------------|---|---|
| 420O | 虬龙 SURREN 探骊 TALARIA | 轻蜂 毒刺 |
| 428HS | 新大洲本田 SUNDIRO HONDA 五羊本田 WUYANG HONDA 浙江春风动力 CFMOTO 钱江摩托 QJIANG MOTOR 比亚乔 PIAGGIO | CBF190R CB190R CF125-2 CF150-3 QJ150-19 |
| 428HO | 新大洲本田 SUNDIRO HONDA 雅马哈 YAMAHA 钱江摩托 QJIANG MOTOR | SDH-150 JYM250 |
| 520HO | 钱江摩托 QJIANG MOTOR 宗申摩托 ZONGSHEN MOTOR 鑫源摩托 SHINERAY MOTOR 飞肯 FEKON MOTOR | BJ250 ZS250 XY250 赛科龙 RX3 CYCLO RX3 |
| 525HO | 钱江摩托 QJIANG MOTOR | QJ250-J BJ300 |
| 530HO | 钱江摩托 QJIANG MOTOR 鑫源摩托 SHINERAY MOTOR | QJ350 XY300 |
| 520O2 | 浙江春风动力 CFMOTO | 300 |

| 规格 Model | 主要配套客户 Main OEM Clients | 车型 Motorcycle |
|-------------|---|---|
| 520HX | 金城摩托 JINCHENG MOTOR 浙江春风动力 CFMOTO 比亚乔 PIAGGIO | JC250 250 250 |
| 520X2 | 隆鑫 LONCIN | 350 RR525 |
| 520UX | 本田 HONDA 豪爵 HAOJUE 隆鑫 LONCIN | 400 500 650 |
| 520SX2 | 鑫源摩托 SHINERAY MOTOR 宗申摩托 ZONGSHEN MOTOR 莫里尼 MOTO MORINI | SR400 SR500 SR600 R23 R24 文佐 650 |
| 525SX2 | 钱江摩托 QJIANG MOTOR | Benelli-BJ600GS 黄龙 BN600i 黄龙 BJ600GS TNT 600 500cc 车型 |
| 525EX | 宝马摩托 BMW MOTOR 摩瑞机车 MOTRAC | K08 800 |