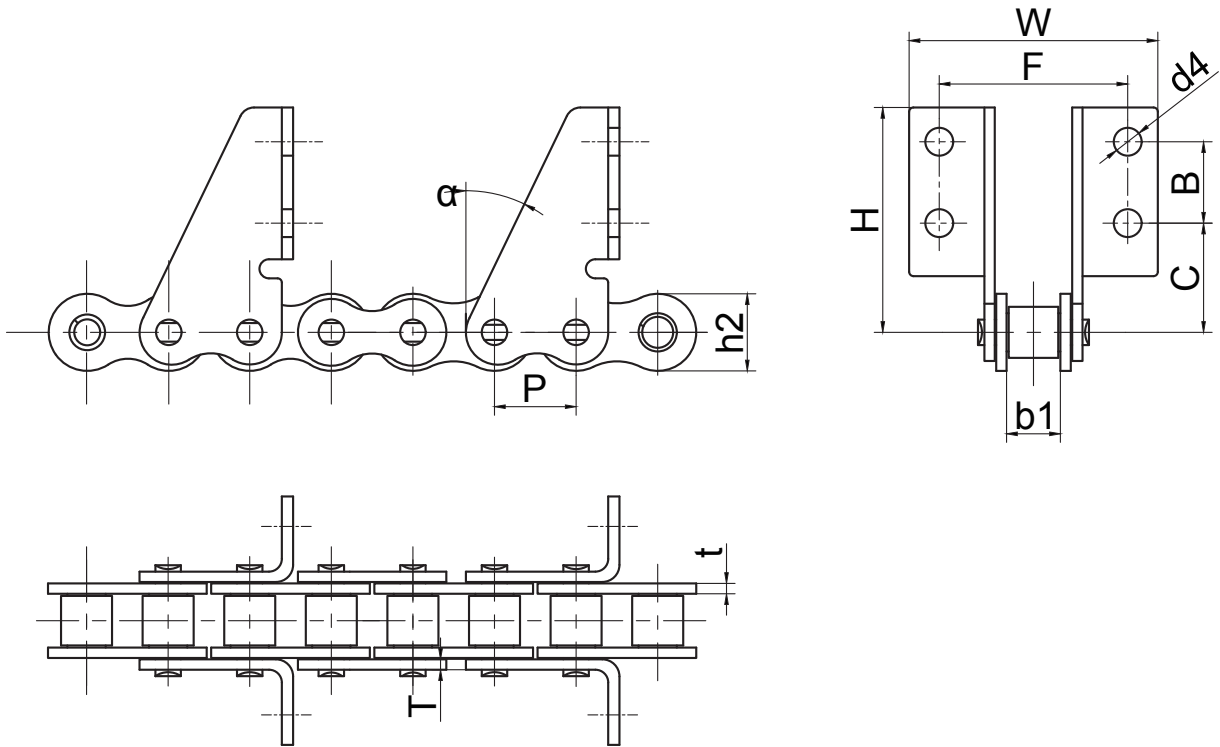


短节距附板链 Short Pitch Attachment Chains



征和链号 CHOHO Chain No.	P	b1	h2	t	T	F	W	B	C	H	d4	α
	mm	mm	mm	mm	mm	mm	mm	mm	mm	mm	mm	/
12AF4	19.05	12.57	18.00	2.42	2.42	38.00	53.00	23.00	20.80	52.00	6.5	26°
12ASD	19.05	12.57	18.00	2.42	2.42	44.00	58.00	19.00	25.50	52.50	7.0	26°

GS38 链条及附件  
GS38 Chain and Accessories

S 型钢制农机链及附件  
S Type Steel Agricultural  
Chains and Accessories

A 型钢制农机链及附件  
A Type Steel Agricultural  
Chains and Accessories

C/A 型钢制农机链及附件  
C/A Type Steel Agricultural  
Chains and Accessories

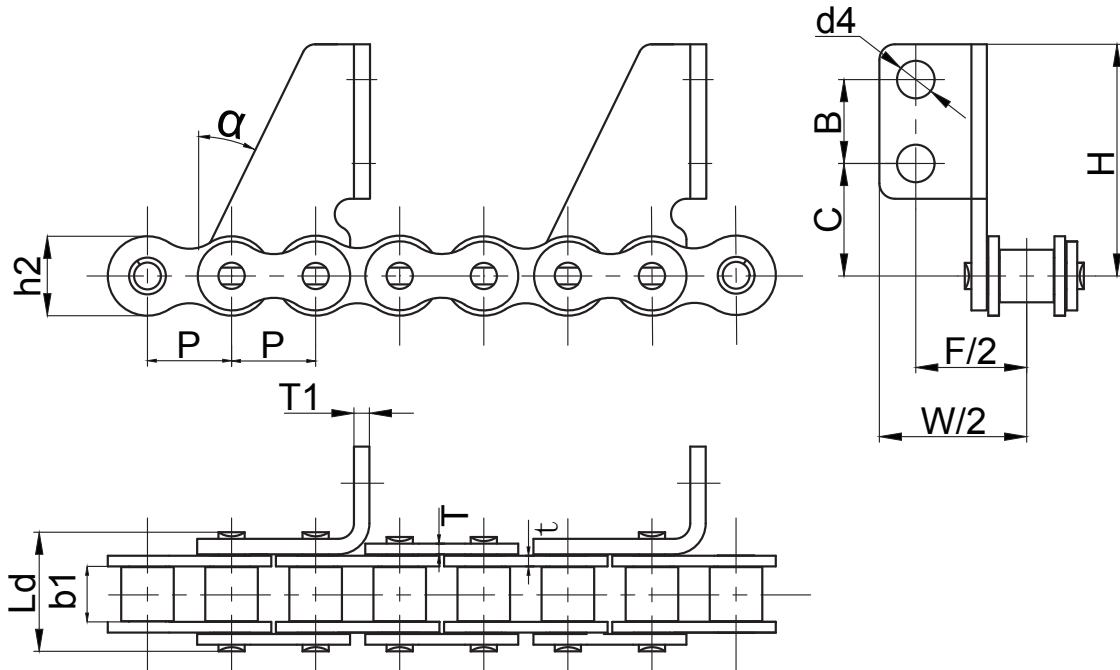
水稻收割机链  
Rice harvester Chains

夹持链  
Clamping Chains

其他农机链及附件  
Other Agricultural Chains  
and Accessories

传动链  
Driving Chains

短节距附板链 Short Pitch Attachment Chains



征和链号 CHOHO Chain No.	P	b1	h2	t	T	T1	Ld	F/2	W/2	B	C	H	d4	$\alpha$
	mm	mm	mm	mm	mm	mm	mm	mm	mm	mm	mm	mm	mm	/
12ASDH	19.05	12.57	18.00	2.42	2.42	3.5	27	25.00	33.25	19.00	25.50	52.50	8.5	26°
12ASDHW	19.05	12.57	18.00	2.42	2.42	3.5	27	12.70	19.70	23.00	21.50	52.50	8.5	26°

GS38 链条及附件  
GS38 Chain and Accessories

S 型钢制农机链及附件  
S Type Steel Agricultural  
Chains and Accessories

A 型钢制农机链及附件  
A Type Steel Agricultural  
Chains and Accessories

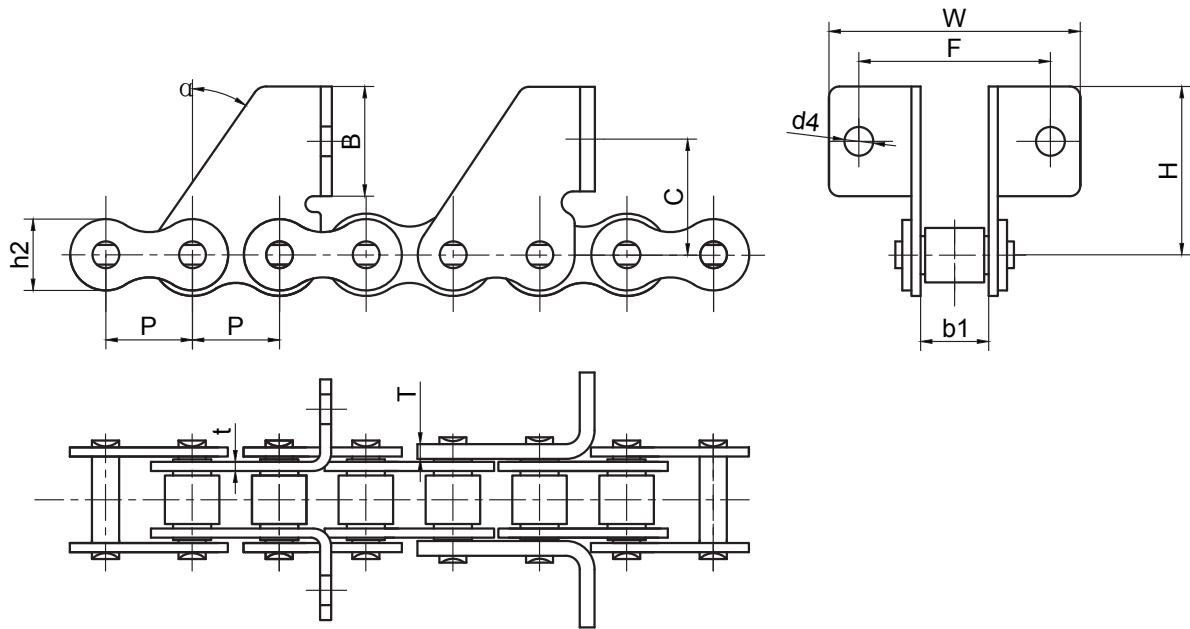
C/CV 型钢制农机链及附件  
C/CV Type Steel Agricultural  
Chains and Accessories

水稻收割机链  
Rice Harvester Chains

夹持链  
Clamping Chains

其他农机链及附件  
Other Agricultural Chains  
and Accessories

传动链  
Driving Chains



征和链号 CHOHO Chain No.	P	b1	h2	t	T	F	W	C	H	d4	a	B
	mm	mm	mm	mm	mm	mm	mm	mm	mm	mm	/	mm
12AF5	19.05	12.57	18.00	2.42	2.42	44.00	56.00	25.5	37.00	7.00	36°	23.00
12AF5H	19.05	12.57	18.00	2.42	3.20	44.00	56.00	25.5	37.00	7.00	34°	23.00
12AF6	19.05	12.57	18.00	2.42	2.42	42.00	60.00	24.00	33.00	8.00	25°	18.50

GS38 链条及附件  
GS38 Chain and Accessories

S 型钢制农机链及附件  
S Type Steel Agricultural  
Chains and Accessories

A 型钢制农机链及附件  
A Type Steel Agricultural  
Chains and Accessories

C/A 型钢制农机链及附件  
C/A Type Steel Agricultural  
Chains and Accessories

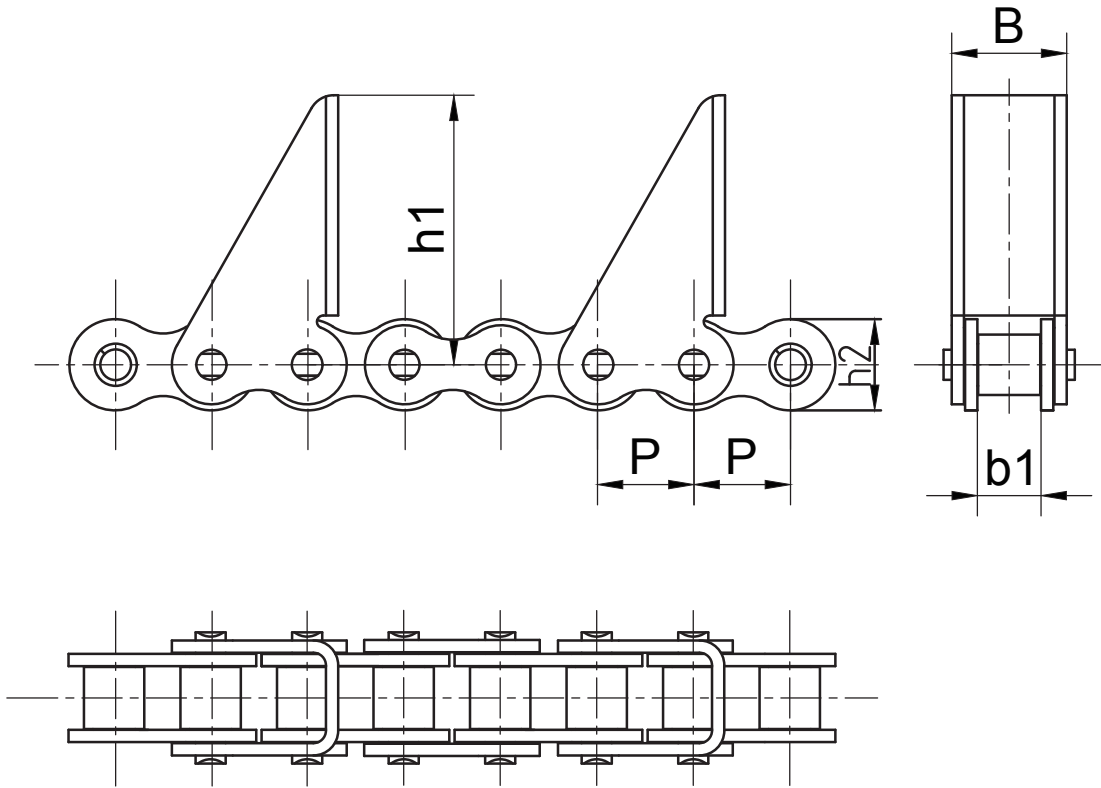
水稻收割机链  
Rice harvester Chains

夹持链  
Clamping Chains

其他农机链及附件  
Other Agricultural Chains  
and Accessories

传动链  
Driving Chains

短节距附板链 Short Pitch Attachment Chains



征和链号 CHOHO Chain No.	P	b1 min	h2 max	b	h1
	mm	mm	mm	mm	mm
12A-CPEF5	19.05	12.57	18.00	22.7	53.2

GS38 链条及附件  
GS38 Chain and Accessories

S 型钢制农机链及附件  
S type Steel Agricultural  
Chains and Accessories

A 型钢制农机链及附件  
A type Steel Agricultural  
Chains and Accessories

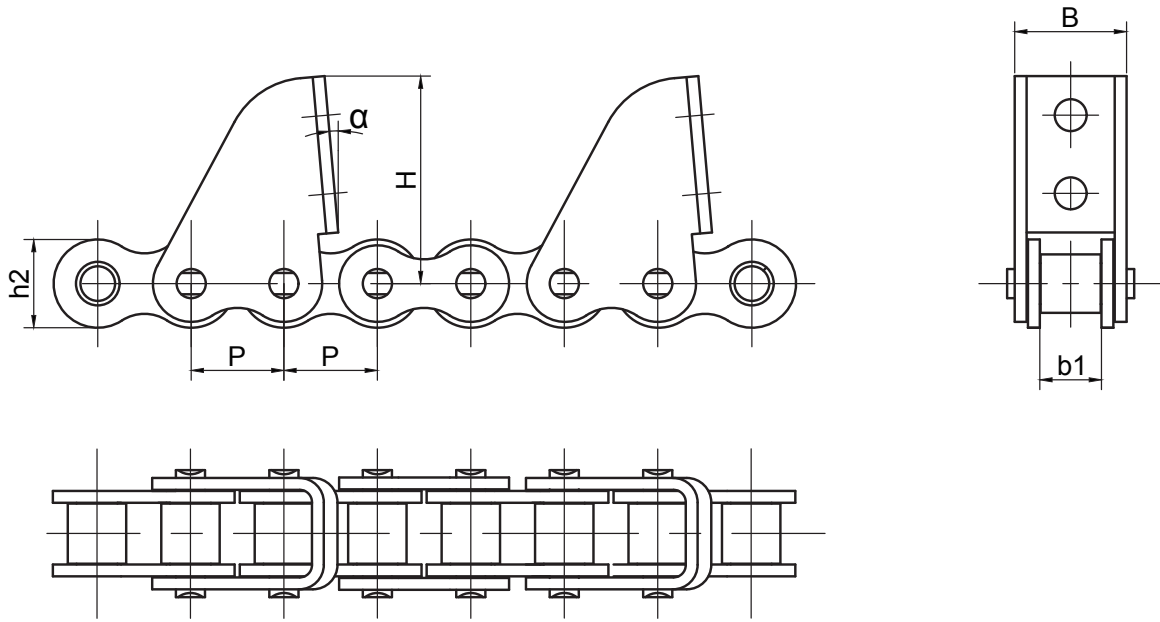
CCA 型钢制农机链及附件  
CCA type Steel Agricultural  
Chains and Accessories

水稻收割机链  
Rice harvester Chains

夹持链  
Clamping Chains

其他农机链及附件  
Other Agricultural Chains  
and Accessories

传动链  
Driving Chains



征和链号 CHOHO Chain No.	P	b1 min	h2 max	B	H	$\alpha$
	mm	mm	mm	mm	mm	/
12A-CPEF6	19.05	12.57	18.00	22.7	42.3	5°

GS38 链条及附件  
GS38 Chain and Accessories

S 型钢制农机链及附件  
S Type Steel Agricultural  
Chains and Accessories

A 型钢制农机链及附件  
A Type Steel Agricultural  
Chains and Accessories

C/A 型钢制农机链及附件  
C/A Type Steel Agricultural  
Chains and Accessories

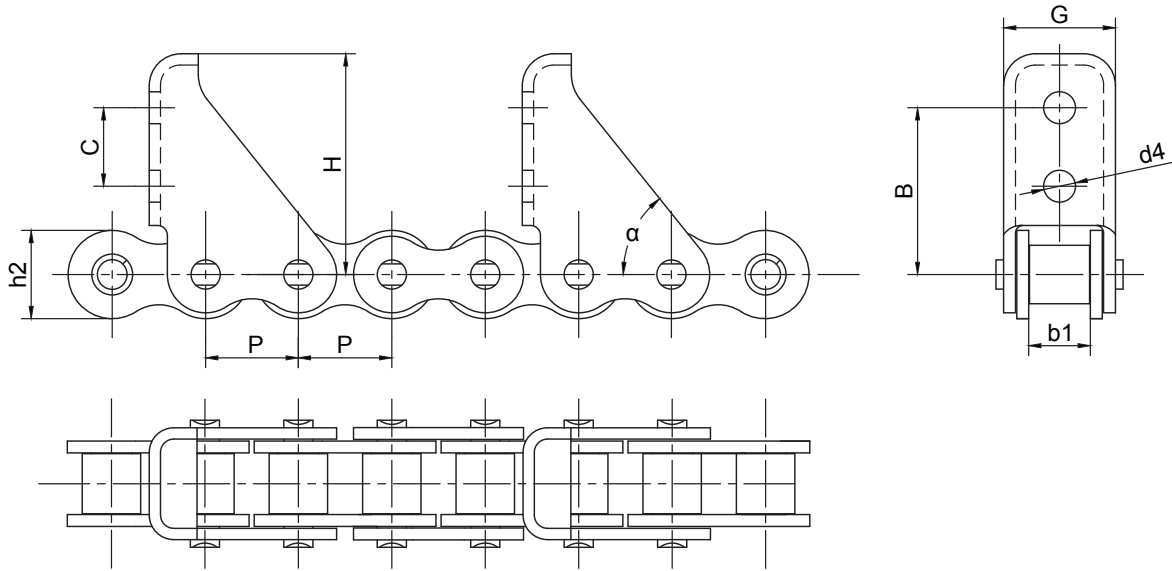
水稻收割机链  
Rice harvester Chains

夹链  
Clamping Chains

其他农机链及附件  
Other Agricultural Chains  
and Accessories

传动链  
Driving Chains

短节距附板链 Short Pitch Attachment Chains



征和链号 CHOHO Chain No.	P	b1 min	h2 max	B	H	α	C	G	d4
	mm	mm	mm	mm	mm	/	mm	mm	mm
12A-CPEF7	19.05	12.57	18.00	34.0	45.0	51.3	16.0	22.8	6.5

GS38 链条及附件  
GS38 Chain and Accessories

S 型钢制农机链及附件  
S Type Steel Agricultural  
Chains and Accessories

A 型钢制农机链及附件  
A Type Steel Agricultural  
Chains and Accessories

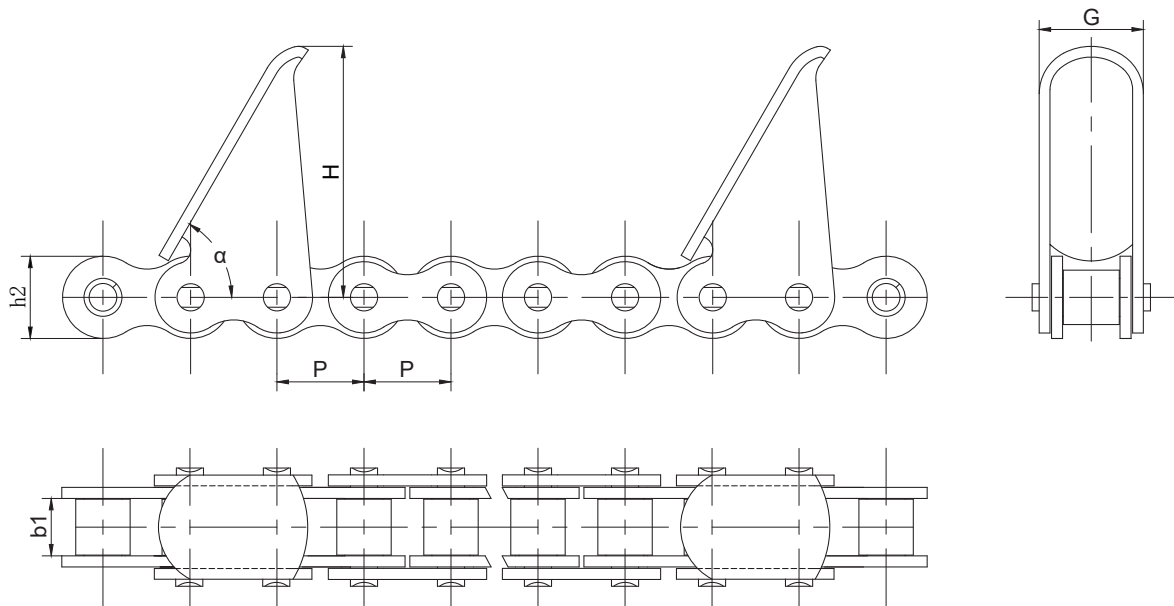
C/CV 型钢制农机链及附件  
C/CV Type Steel Agricultural  
Chains and Accessories

水稻收割机链  
Rice Harvester Chains

夹持链  
Clamping Chains

其他农机链及附件  
Other Agricultural Chains  
and Accessories

传动链  
Driving Chains



征和链号 CHOHO Chain No.	P	b1 min	h2 max	H	$\alpha$	G
	mm	mm	mm	mm	/	mm
12A-CPEF8	19.05	12.57	18.00	55.0	60°	22.8

GS38 链条及附件  
GS38 Chain and Accessories

S 型钢制农机链及附件  
S Type Steel Agricultural  
Chains and Accessories

A 型钢制农机链及附件  
A Type Steel Agricultural  
Chains and Accessories

C/A 型钢制农机链及附件  
C/A Type Steel Agricultural  
Chains and Accessories

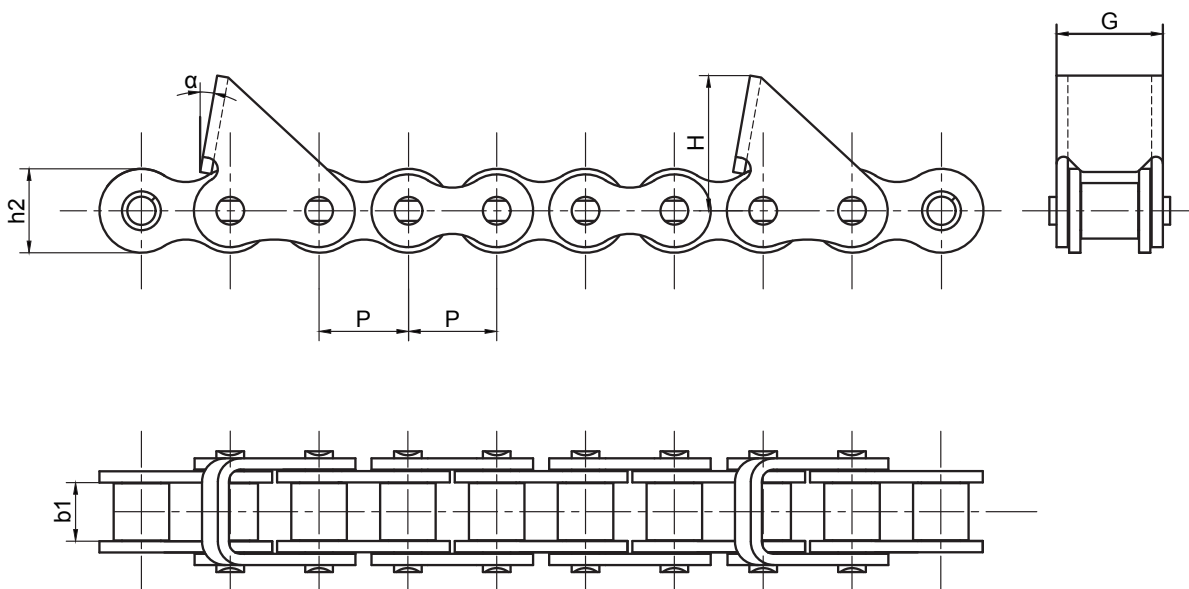
水稻收割机链  
Rice harvester Chains

夹链链  
Clamping Chains

其他农机链及附件  
Other Agricultural Chains  
and Accessories

传动链  
Driving Chains

# 短节距附板链 Short Pitch Attachment Chains



征和链号 CHOHO Chain No.	P	b1 min	h2 max	H	α	G
	mm	mm	mm	mm	/	mm
12A-CPEF9	19.05	12.57	18.00	29.0	10°	22.8

GS38 链条及附件  
GS38 Chain and Accessories

S 型钢制农机链及附件  
S type steel Agricultural  
Chains and Accessories

A 型钢制农机链及附件  
A type steel Agricultural  
Chains and Accessories

C/C A 型钢制农机链及附件  
C/C A type steel Agricultural  
Chains and Accessories

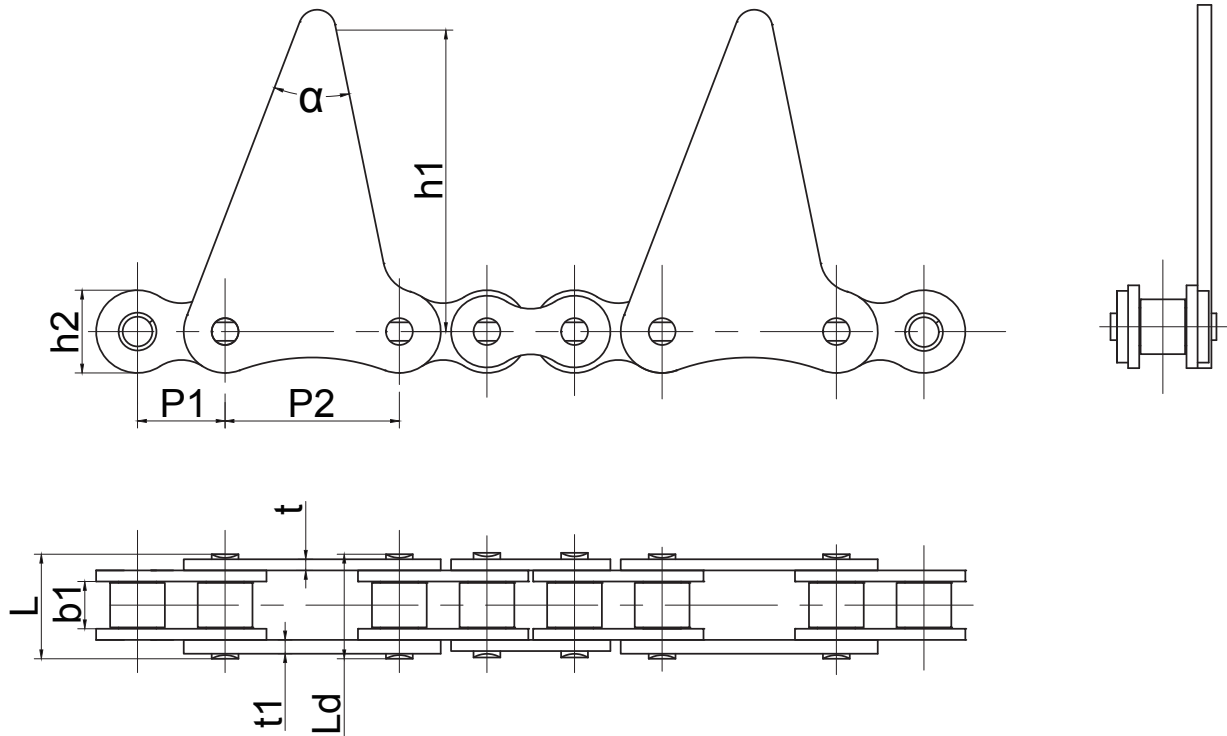
水稻收割机链  
Rice harvester Chains

夹持链  
Clamping Chains

其他农机链及附件  
Other Agricultural Chains  
and Accessories

传动链  
Driving Chains





征和链号 CHOHO Chain No.	P1	P2	L	Ld	b1 min	h2 max	t	t1	h1	α
	mm	mm	mm	mm	mm	mm	mm	mm	mm	/
12A-FC	19.05	37.51	25.9	26.5	12.57	18.00	2.42	3	70.0	32.5°

GS38 链条及附件  
GS38 Chain and Accessories

S 型钢制农机链及附件  
S Type Steel Agricultural  
Chains and Accessories

A 型钢制农机链及附件  
A Type Steel Agricultural  
Chains and Accessories

C/A 型钢制农机链及附件  
C/A Type Steel Agricultural  
Chains and Accessories

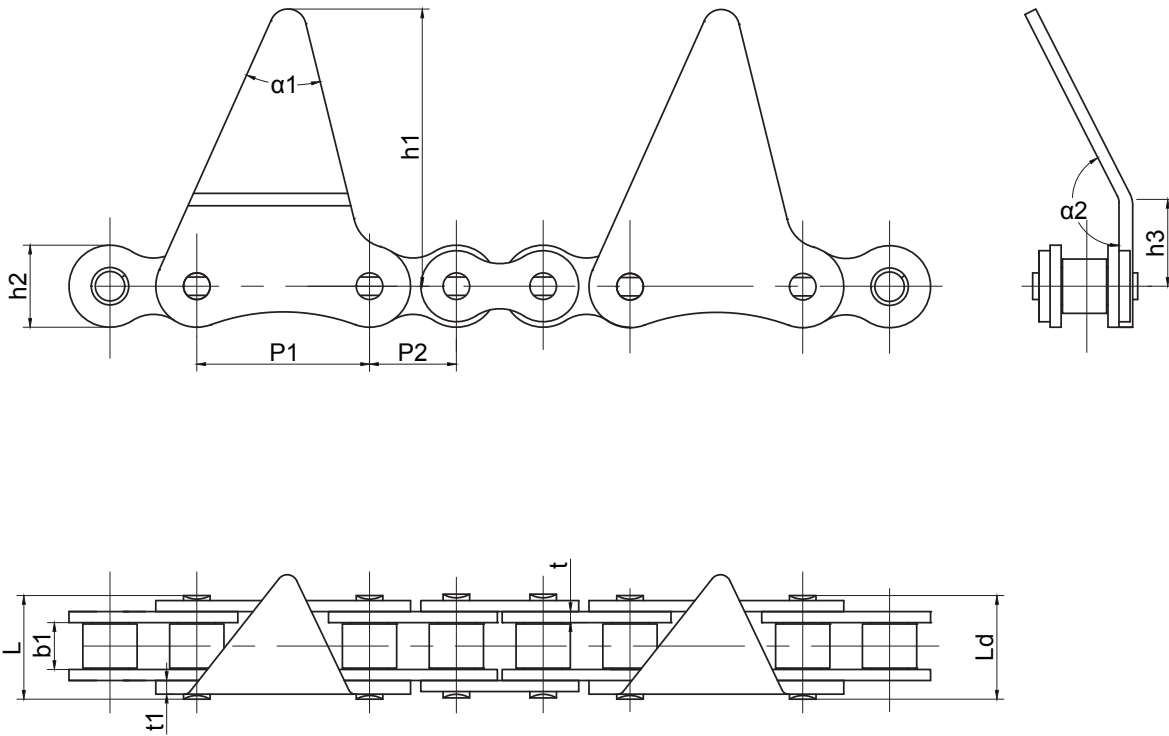
水稻收割机链  
Rice harvester Chains

夹链链  
Clamping Chains

其他农机链及附件  
Other Agricultural Chains  
and Accessories

传动链  
Driving Chains

短节距附板链 Short Pitch Attachment Chains



征和链号 CHOHO Chain No.	P1	P2	L	Ld	b1 min	t	t1	h1	h2 max	h3	α1	α2
	mm	mm	mm	mm	mm	mm	mm	mm	mm	mm	/	/
12A-BC	19.05	37.51	25.9	26.5	12.57	2.42	3	64.0	18.00	18.4	32.5°	153°

GS38 链条及附件  
GS38 Chain and Accessories

S 型钢制农机链及附件  
S type steel Agricultural  
Chains and Accessories

A 型钢制农机链及附件  
A type steel Agricultural  
Chains and Accessories

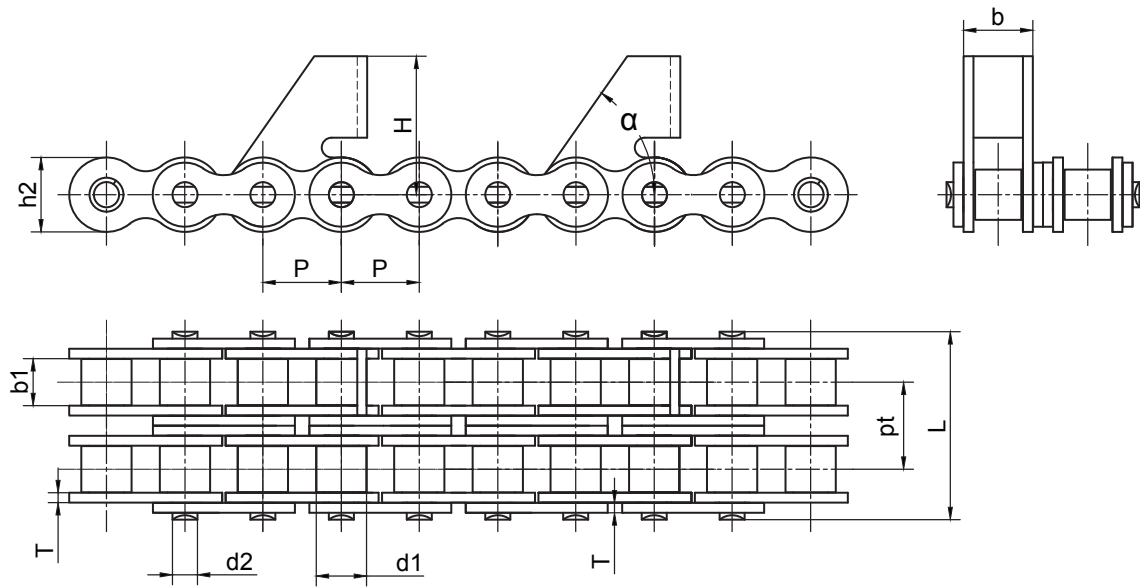
C/CV 型钢制农机链及附件  
C/CV type steel Agricultural  
Chains and Accessories

水稻收割机链  
Rice harvester Chains

采棉链  
Cotton picking Chains

其他农机链及附件  
Other Agricultural Chains  
and Accessories

传动链  
Driving Chains



征和链号 CHOHO Chain No.	节距	滚子直径	销轴直径	内节内宽	销轴长度	排距	链板尺寸		附板尺寸			抗拉强度
	P	d1 max	d2 max	b1 min	L max	pt	h2 max	T	b	H	α	Q min
	mm	mm	mm	mm	mm	mm	mm	mm	mm	mm	/	kN
50-2F1	15.875	10.16	5.09	9.5	39	18.11	15.05	2.0	14.0	28.0	55°	44.4

GS38 链条及附件  
GS38 Chain and Accessories

S 型钢制农机链及附件  
S Type Steel Agricultural  
Chains and Accessories

A 型钢制农机链及附件  
A Type Steel Agricultural  
Chains and Accessories

C/A 型钢制农机链及附件  
C/A Type Steel Agricultural  
Chains and Accessories

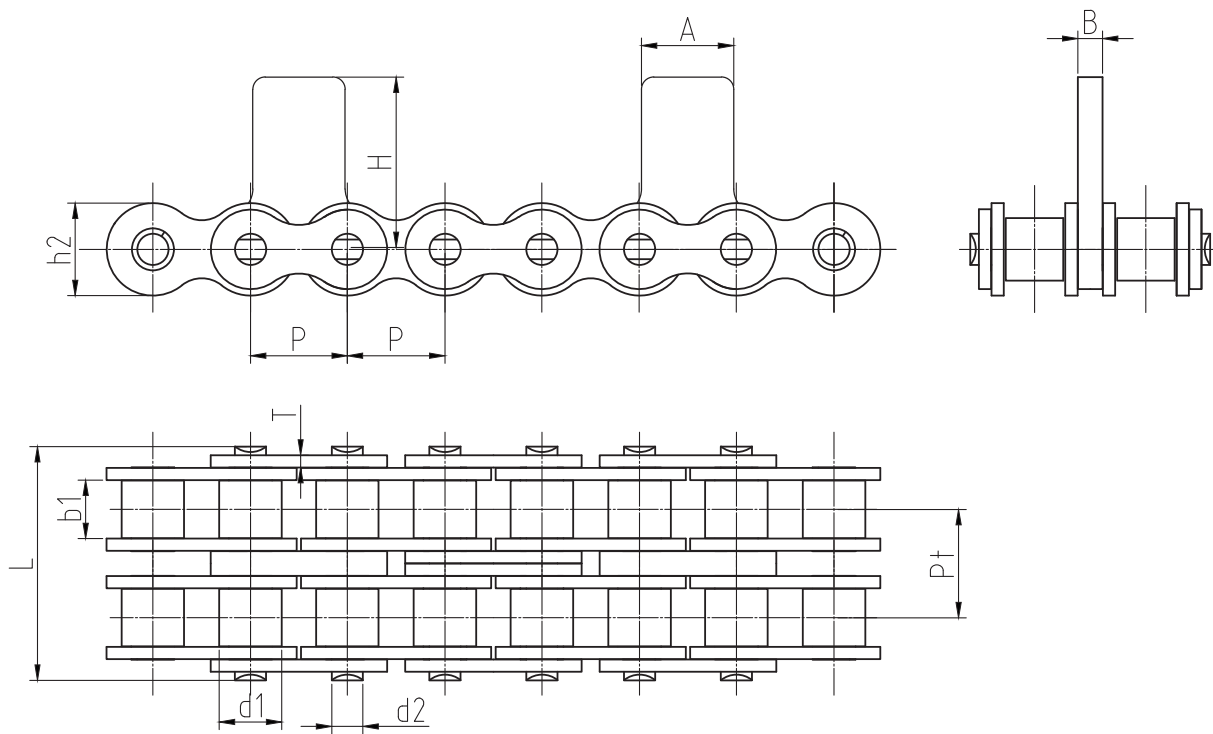
水稻收割机链  
Rice harvester Chains

夹持链  
Clamping Chains

其他农机链及附件  
Other Agricultural Chains  
and Accessories

传动链  
Driving Chains

# 短节距附板链 Short Pitch Attachment Chains



征和链号 CHOHO Chain No.	节距	滚子直径	销轴直径	内节内宽	销轴长度	排距	链板尺寸			附板尺寸			抗拉强度	平均抗拉强度
	P	d1 max	d2 max	b1 min	L max	pt	h2 max	T	H	A	B	Q min	Q <sub>0</sub>	
	mm	mm	mm	mm	mm	mm	mm	mm	mm	mm	mm	kN	kN	
50-2SKH	15.875	10.16	5.09	9.5	39	18.11	15.05	2.0	28.0	15.0	4.0	44.4	58	
60-HDS-2SKH	19.050	11.91	5.94	12.6	49	22.78	18.10	2.4	26.0	15.0	4.8	62.6	70	

GS38 链条及附件  
GS38 Chain and Accessories

S 型钢制农机链及附件  
S type Steel Agricultural  
Chains and Accessories

A 型钢制农机链及附件  
A type Steel Agricultural  
Chains and Accessories

C/C A 型钢制农机链及附件  
C/C A type Steel Agricultural  
Chains and Accessories

水稻收割机链  
Rice Harvester Chains

夹持链  
Clamping Chains

其他农机链及附件  
Other Agricultural Chains  
and Accessories

传动链  
Driving Chains