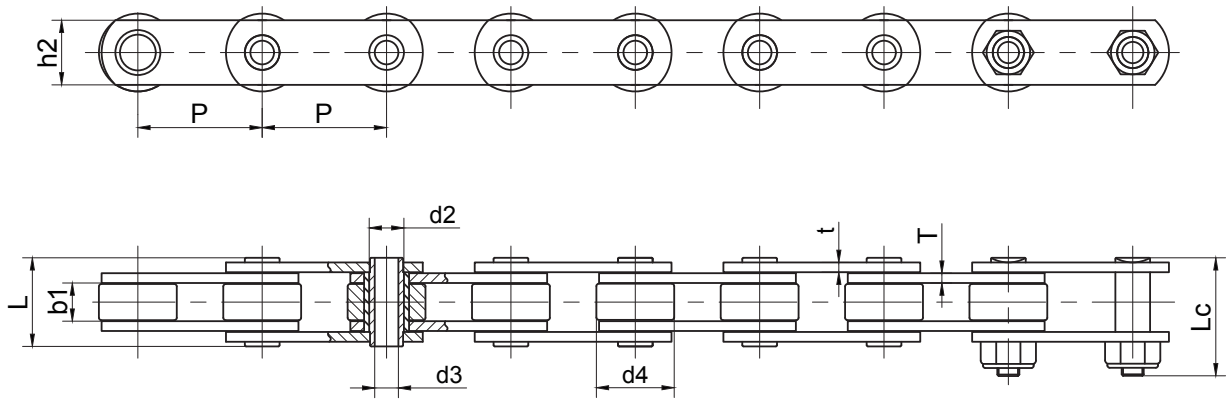


# 空心销轴链 Hollow Pin Chains



征和链号 CHOHO Chain No.	节距	内节内宽	销轴外径	销轴内径	滚子外径	销轴长度		链板尺寸			抗拉强度	平均 抗拉强度	每米 长重
	P	b1 min	d2 max	d3 min	d4 max	L max	Lc max	h2 max	T max	t max	Q min	Q <sub>0</sub>	q
	mm	mm	mm	mm	mm	mm	mm	mm	mm	mm	kN	kN	kg/m
4202HP	50.80	15.20	14.30	10.05	31.80	36.80	50	26.80	4	4	60	80.0	3.97
CT-2HPS	50.80	15.20	14.30	10.05	38.10	36.80	50	26.80	4	4	60	80.0	4.69
CT-2HPX	50.80	15.20	14.30	9.67	38.10	36.80	50	26.80	4	4	75	85.0	4.69

GS38 链条及附件  
GS38 Chain and Accessories

S 型钢制农机链及附件  
S Type Steel Agricultural  
Chains and Accessories

A 型钢制农机链及附件  
A Type Steel Agricultural  
Chains and Accessories

C/A 型钢制农机链及附件  
C/A Type Steel Agricultural  
Chains and Accessories

水稻收割机链  
Rice harvester Chains

夹持链  
Clamping Chains

其他农机链及附件  
Other Agricultural Chains  
and Accessories

传动链  
Driving Chains