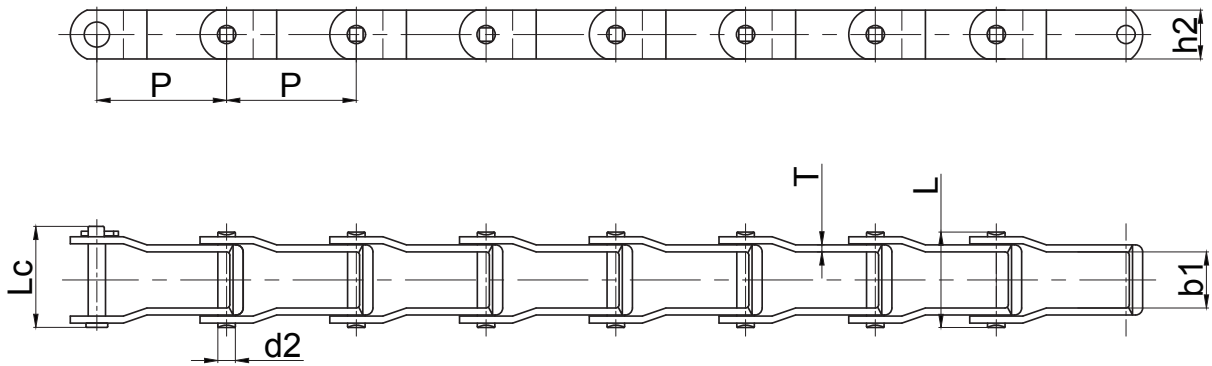


采棉机链 Cotton Harvester Chains



征和链号 CHOHO Chain No.	节距	内节内宽	销轴直径	销轴长度		链板尺寸		抗拉强度	平均抗拉强度	每米长重
	P	b_1 min	d_2 max	L max	L_c max	h_2 max	T max	Q min	Q_0	q
	mm	mm	mm	mm	mm	mm	mm	kN	kN	kg/m
667H	58.75	25.40	7.92	43.70	46.60	22.3	3.20	42.3/9515	60.0	1.81

GS38 棉农链及附件
GS38 Chain and Accessories

S 型圆钢链及附件
S type Steel Agricultural
Chains and Accessories

A 型圆钢链及附件
A type Steel Agricultural
Chains and Accessories

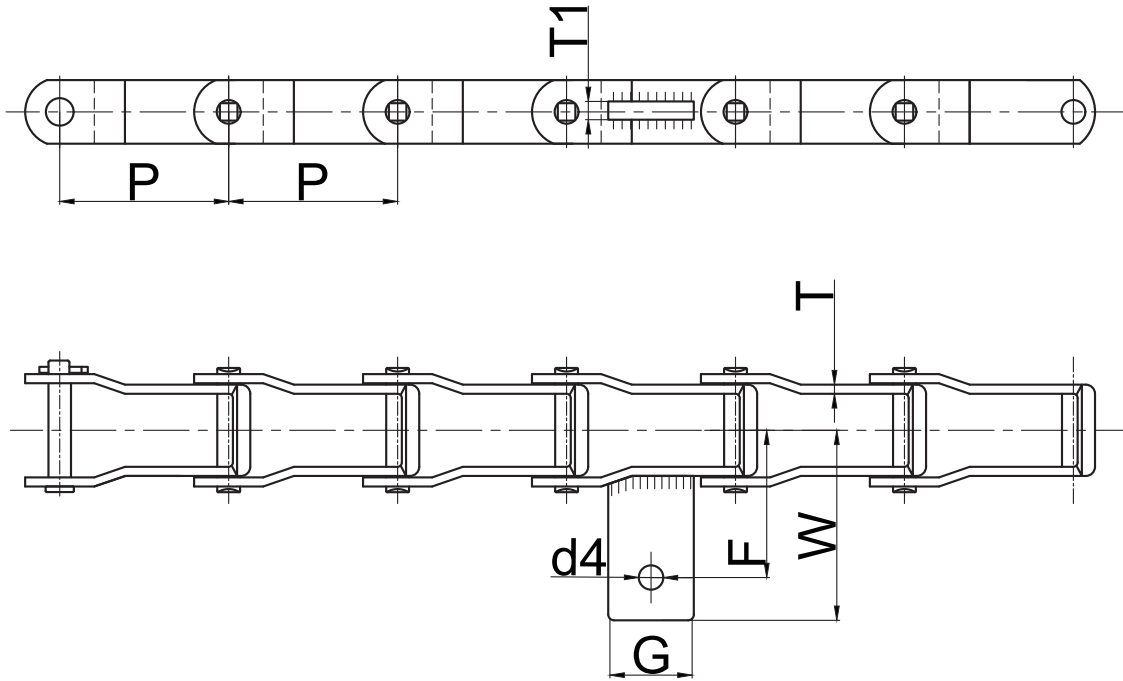
C/C/A 型圆钢链及附件
C/C/A type Steel Agricultural
Chains and Accessories

水稻收割机链
Rice harvester Chains

采棉链
Cotton picking Chains

其他农机链及附件
Other Agricultural Chains
and Accessories

传动链
Driving Chains



征和链号 CHOHO Chain No.	P	T	G	F	W	d4	T1
	mm	mm	mm	mm	mm	mm	mm
667H-AS	58.75	3.2	29.7	51.6	66.6	8.5	6.4

GS38 链条及附件
GS38 Chain and Accessories

S 型钢制农机链及附件
S Type Steel Agricultural
Chains and Accessories

A 型钢制农机链及附件
A Type Steel Agricultural
Chains and Accessories

C/A 型钢制农机链及附件
C/A Type Steel Agricultural
Chains and Accessories

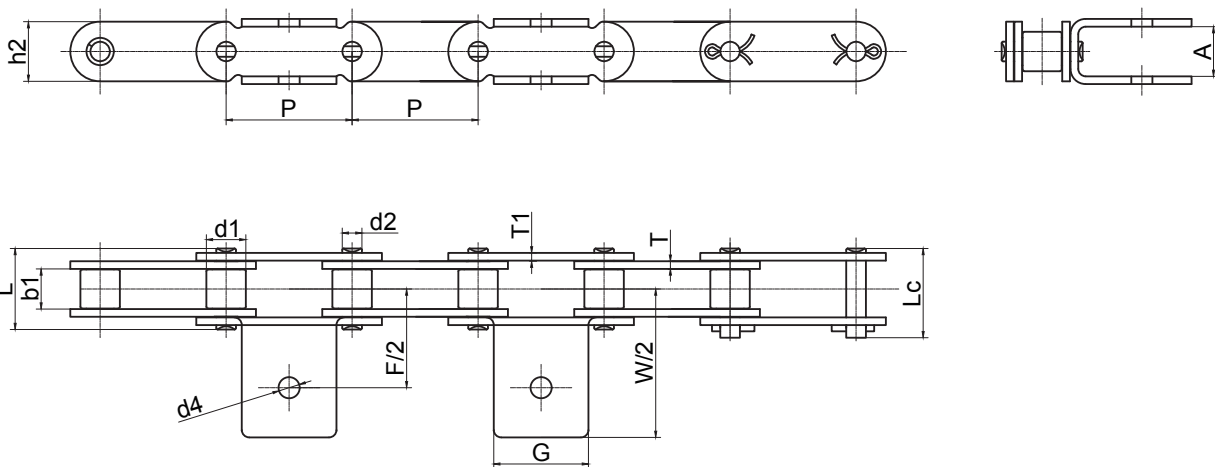
水稻收割机链
Rice harvester Chains

夹持链
Clamping Chains

其他农机链及附件
Other Agricultural Chains
and Accessories

传动链
Driving Chains

采棉机链 Cotton Harvester Chains



征和链号 CHOHO Chain No.	节距	滚子直径	销轴直径	内节内宽	销轴长度		链板尺寸		附板尺寸					抗拉强度
	P	d1 max	d2 max	b1 min	L max	Lc max	h2 max	T	G	A	F	W	d4	Q min
	mm	mm	mm	mm	mm	mm	mm	mm	mm	mm	mm	mm	mm	kN
C2080K1F4	50.8	15.88	7.92	15.75	32.6	35.9	24.0	3.1	38.1	20.0	80.0	120.0	8.5	56.7

GS38 链条及附件
GS38 Chain and Accessories

S 型钢制农机链及附件
S type steel Agricultural
Chains and Accessories

A 型钢制农机链及附件
A type steel Agricultural
Chains and Accessories

C/C/A 型钢制农机链及附件
C/C/A type steel Agricultural
Chains and Accessories

水稻收割机链
Rice harvester Chains

夹持链
Clamping Chains

其他农机链及附件
Other Agricultural Chains
and Accessories

传动链
Driving Chains